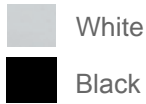


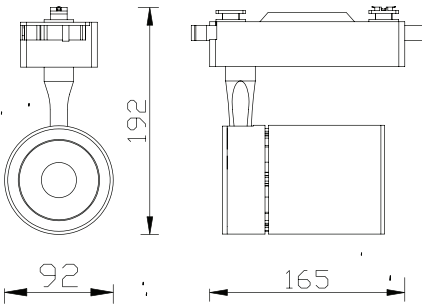
# LED TRACKLIGHT

Product&Family Code: 018 018 0035

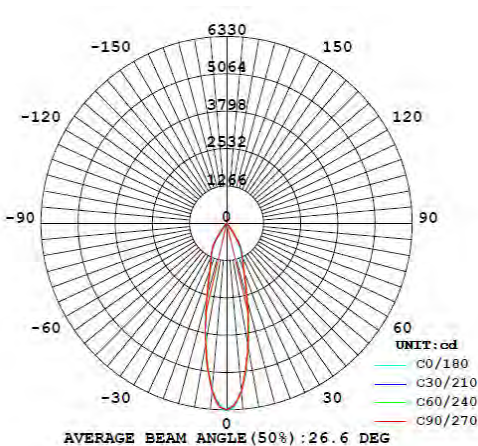
**DUBLIN**



## Technical Drawing



## Photometric Diagram



Technical Data	
Voltage (V)	180-240V
Product Wattage (W)	35
Equivalence with incandescent lamp(W)	280
Colour Render Index (Ra)	>Ra80
Colour Temperature (K)	4200K
Materials	Aluminium
Protection Class	II
Dimmable	No
EEI	A to A++
Warm-up time up to 60 %of the full light output	Instant Full Light
Luminous Flux (lm)	3400
Luminous Efficacy (lm/W)	97
Rated Life (hrs) ⌚	30.000
IP Rating	20
Power Factor	>0.5
Beam Angle	24°
Starting Time	<0.2s
Number of ON-OFF cycling	x20000

## Applications

- Tracking lighting is your best choice when compared to other lights for areas such as dining rooms, kitchens, shopping center and even offices.



## Features

- High Lumen and CRI, Good quality & Constant Current driver.
- High heat dissipation, low carbon and environmental protection.
- COB LED Lamp Base.
- Very low energy consumption.

