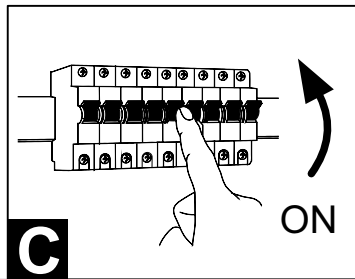
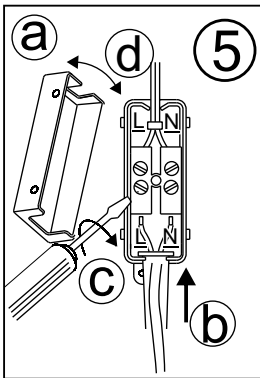
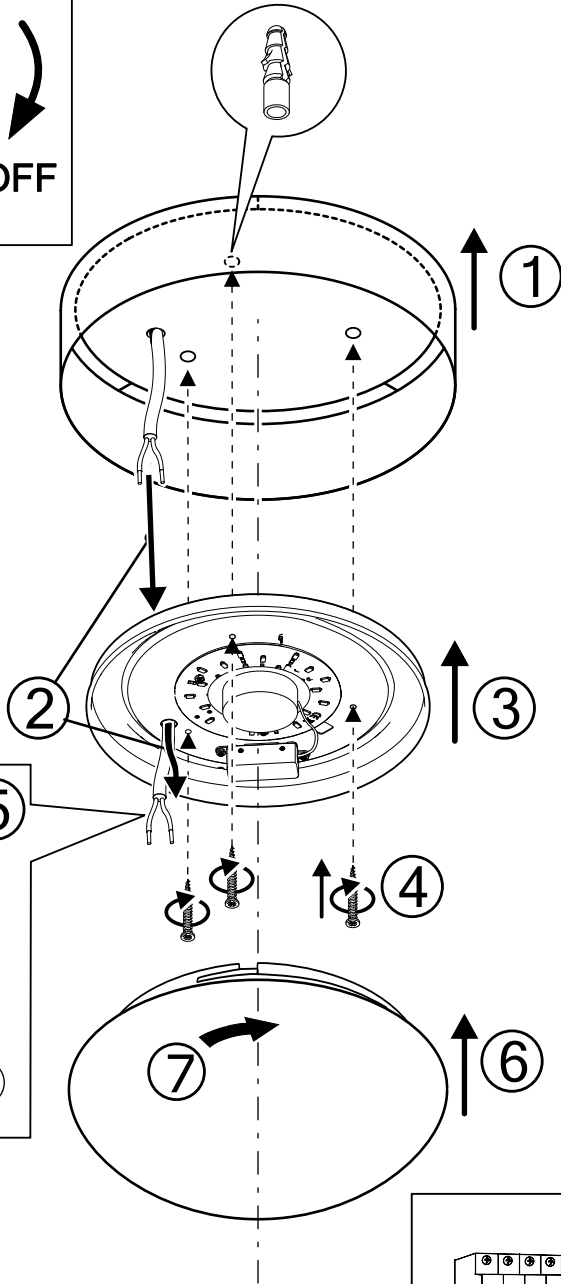


**B**



31588 31589 31592 31593